

Oxylog 1000



WARNING!

For a full understanding of the performance characteristics of this equipment, the user should carefully read this manual before use of the device.

Emergency ventilator Instructions for Use

Contents

For Your Safety and that of Your Patients	3
Precautions	4
Intended Use	4
General description	4
Operating concept	5
Operation	6
Oxylog 1000 Device Check	6
IPPV controlled ventilation	7
Ventilation with PEEP (Special accessory)	9
End-expiratory volume measurement (Special accessory)	10
End of operation	10
Care	11
Dismantling	11
Disinfecting/Cleaning	12
Sterilising	13
Preparation	14
Mounting the ventilation valve	14
Installing the Oxylog 1000	15
Connecting the O2 supply	16
Checking readiness for operation	18
Testing ventilation function	18
Testing the »Paw $\sqrt{}$ « alarm	19
Testing the »Paw \surd « alarm	19
Checking the »Psupply« alarm	20
Troubleshooting	21
Maintenance intervals	22
What's what	23
Front view	23
Side view	24
Technical data	25
Abbreviations and symbols	27
Appendix	28
Minute volume and O2 concentration as a function of airway pressure	28
Block circuit diagram	29
Order List	30
Index	31

This page is intentionally left blank

For Your Safety and that of Your Patients

Definitions

WARNING!

A **WARNING** statement provides important information about a potentially hazardous situation which, if not avoided, could result in death or serious injury.

CAUTION!

A **CAUTION** statement provides important information about a potentially hazardous situation which, if not avoided, may result in minor or moderate injury to the user or patient or in damage to the equipment or other property.

NOTE:

A **NOTE** provides additional information intended to avoid inconvenience during operation.

Strictly follow these Instructions for Use

WARNING!

Strictly follow these Instructions for Use.

Any use of the product requires full understanding and strict observation of all portions of these instructions.

The device is only to be used for the purpose specified under "Intended Use" on page 4 and in conjunction with appropriate patient monitoring (see page 6). Observe all **WARNING** and **CAUTION** statements throughout this manual and all statements on device labels.

Maintenance

WARNING!

The device must be inspected and serviced regularly by trained service personnel.

Repair of the device may also only be carried out by trained service personnel.

Dräger recommends that a service contract be obtained with DrägerService and that all repairs also be carried out by them. Dräger recommends that only authentic Dräger repair parts be used for maintenance. Otherwise the correct functioning of the device may be compromised.

See chapter "Maintenance Intervals".

Accessories

Do not use accessory parts other than those in the order list.

Liability for proper function or damage

The liability for the proper function of the apparatus is irrevocably transferred to the owner or operator to the extent that the apparatus is improperly serviced or repaired by personnel not employed or authorized by DrägerService or if the apparatus is used in a manner not conforming to its intended use.

Dräger cannot be held responsible for damage caused by non-compliance with the recommendations given above. The warranty and liability provisions of the terms of sale and delivery of Dräger are likewise not modified by the recommendations given above.

Dräger Medical b.v., Best, the Netherlands

Precautions

WARNING!

Standby manual ventilation system

If the life-preserving function of the ventilator is no longer guaranteed due to a fault, the patient must immediately be ventilated with an alternative independent ventilating device, e.g. with a self-filling manual breathing bag.

WARNING!

Do not use this apparatus in explosion hazard areas.

Risk of explosion!

WARNING!

Do not use the equipment in conjunction with magnetic resonance imaging (MRI, NMR, NMI).

The apparatus may malfunction, causing danger to the patient.

CAUTION!

Ventilation monitoring

During ventilation, the patient must be constantly monitored by qualified medical personnel.

Intended Use

Oxylog 1000 – a time cycled, volume constant transport and emergency ventilator for patients requiring a minute volume ventilation of at least 3 liters per minute.

General description

Oxylog 1000 is a purely pneumatic-powered transport and emergency ventilator.

With display

- of inspiratory airway pressure P_{aw} ,

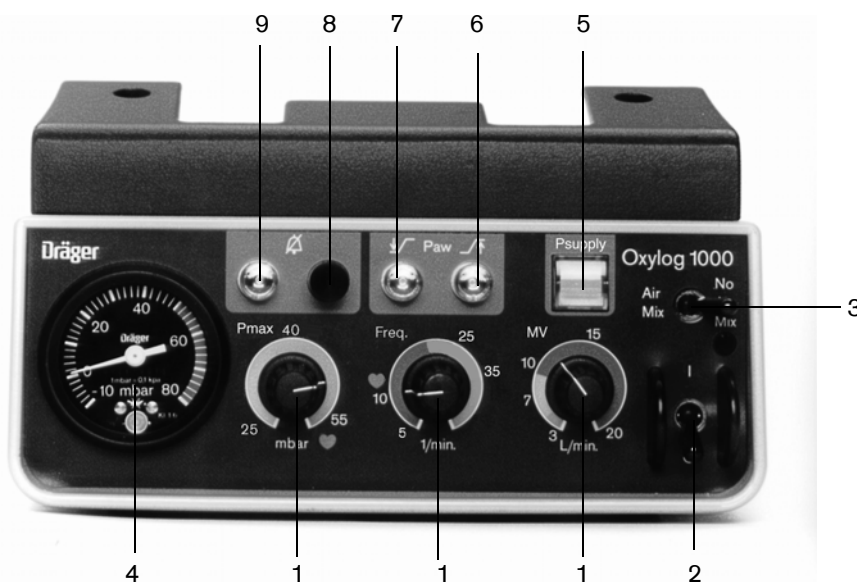
with audible and visual alarms for:

- airway pressure P_{aw} low
- airway pressure P_{aw} high
- O₂ supply pressure P_{supply} low

with applications in:

- mobile use in EMS and primary care of emergency patients
- patient transports and transfers by land, sea, or air.
- intra-hospital transfers of ventilated patients
- secondary transfers between hospitals
- the emergency room.

Operating concept



- 1 Three rotary control knobs are located in the middle of the front panel for setting the upper alarm limit for airway pressure (»Pmax«), the ventilation rate (»Freq.«) and the minute volume (»MV«).
Uniform colour codes are used to identify different scale ranges of the »Freq.« and »MV« knobs to help rapid presetting: with these colour-coded scales, the initial parameters are adapted to the relevant patient group: infants (green) / children (blue) / adults (brown).
- 2 The **main switch 0/I** for switching the ventilator on and off is in the bottom right-hand corner of the front panel.
- 3 With the »Air Mix/No Air Mix« switch, the user can choose between approx. **60 Vol.% O₂** and **100 Vol.% O₂**.
- 4 The pressure gauge shows the **inspiratory airway pressure**.

NOTE:

The color coded ranges and patient identifications are offered solely for the convenience of the user for selecting initial settings. It is ultimately the responsibility of the user to select the correct settings for each patient.

The flag indicators for the alarms are located above the rotary control knobs for »Freq.«, »MV« and »Pmax«:

- 5 »Psupply« flag indicator.
Green if the supply pressure is sufficient, turns red if the supply pressure is insufficient.
- 6 Indicator for the upper alarm limit »Paw \nearrow^{F} «. Red if the airway pressure exceeds the maximum limit.
- 7 Indicator for lower alarm limit »Paw \searrow^{F} « turns red if lower alarm limit is not reached.
- 8 » A « button to mute the audio alarm for up to 2 minutes.
- 9 Indicator » A « turns yellow when the alarm tone is muted.

Operation

Oxylog 1000 Device Check

The device check must be carried out before each use.
Any operation of the device requires thorough knowledge of the Instructions for Use.

Type	<input type="text"/>
Serial No.	<input type="text"/>

Check the following points before starting up the device:

- O₂ pressure supply connected
- Cylinder pressure at least 100 bar or ventilator connected to the central O₂ supply
- Ventilation valve and ventilation hose connected

Testing correct operation

- Fit the test lung to the ventilation valve.
- Set the device when using a reusable hose:
 - »MV« approx. 10 L/min
 - »Freq.« approx. 10 bpm
 - »Pmax« approx. 55 mbar
 - Main switch I (ON)
 - Switch »No Air Mix«
- Set the device when using a disposable hose to the settings as described in the accompanying leaflet of the disposable hose.

Oxylog 1000 must ventilate the test lung After 5 ventilation strokes ventilation is constant, no alarms should occur.	<input type="checkbox"/>
--	--------------------------

- Squeeze the test lung, so that the airway pressure is approx. 60 mbar.

The »Paw $\sqrt{\wedge}$ « indicator turns red, and the audible alarm is sounded.	<input type="checkbox"/>
---	--------------------------

- Remove the test lung:

The »Paw $\sqrt{\wedge}$ « indicator turns red, and the audible alarm is sounded.	<input type="checkbox"/>
---	--------------------------

In the event of deviations, see "Troubleshooting", page 21.

Device check completed

Name

Date

Use a prepared, operable and disinfected device.

Care, page 11.

Preparation, page 14.

Checking device ready for operation, page 18.

IPPV controlled ventilation

For ventilation frequencies of 4 to 54 breaths per minute.

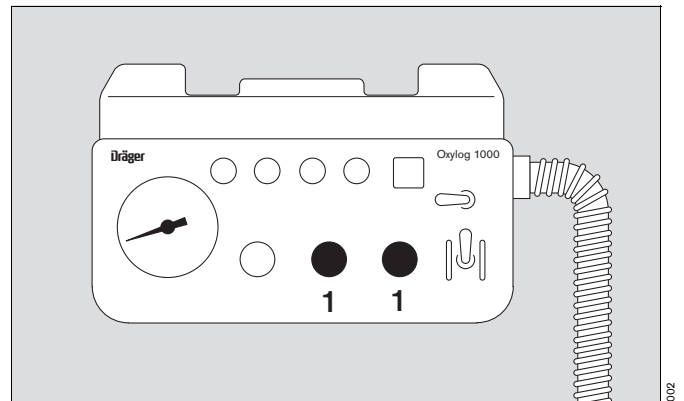
For rapid presetting, uniform **colour-coded** scale ranges can be used for the rotary control knobs for the ventilation rate **Freq.** and minute volume **MV**.

1 Presetting the »Freq.« and »MV« control knobs:

Patient group	Freq. 1/min	MV L/min
Green range for infants	28 to 54	3 to 5
Blue range for children	20 to 28	5 to 9
Brown range for adults	4 to 20	9 to 20

NOTE:

The color coded ranges and patient identifications are offered solely for the convenience of the user for selecting initial settings. It is ultimately the responsibility of the user to select the correct settings for each patient.



002

NOTE:

The tidal volume will be equal to the minute volume setting divided by the rate setting:

Minute volume (L/min)	Ventilator Rate (1/min)				
	5	10	25	35	54 (max)
3	0.60	0.30	0.12	0.09	0.06
7	1.40	0.70	0.28	0.20	0.13
10	2.00	1.00	0.40	0.29	0.13
15	3.00	1.50	0.60	0.43	0.28
20	4.00	2.00	0.80	0.57	0.37
Tidal volume V_T (L)					

The I/E-ratio is fixed to approximately 1:1.5 and changes slightly depending on the setting. The I/E-ratio is within the range considered reasonable for most patients during emergency care and transport.

2 Set the desired O₂ concentration with the switch:

- Air Mix** approx. 60 % O₂ by volume
- or
- No Air Mix** = 100 % O₂ by volume

WARNING!

In **Air Mix** mode, the applied tidal volume V_T is reduced at high airway pressures due to the physical characteristics of the injector used for the mixing and the O₂ concentration increases due to the smaller amount of air intake. (See also page 28 in the appendix).

WARNING!

In toxic surroundings:

- The patient must be ventilated in **No Air mix** mode in order to ensure that toxic constituents are not entrained into the breathing gas.
- The patient must immediately be transferred to a breathable atmosphere in order to prevent inhalation of toxic air when spontaneous breathing resumes.

Set »Pmax«

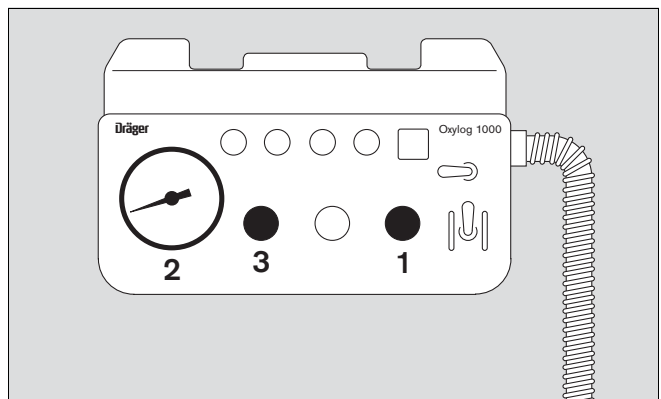
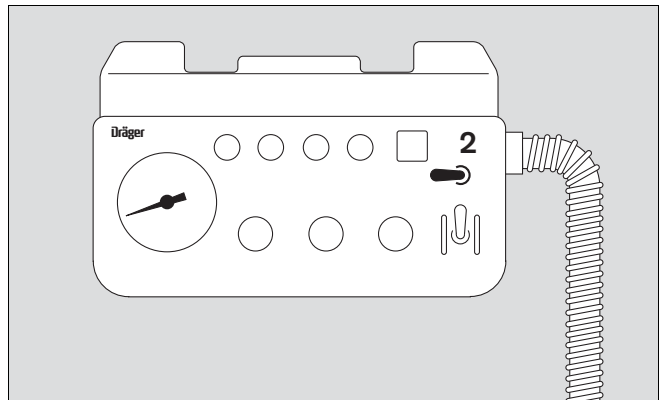
When the patient is connected:

- 1** Check the **»MV«** setting and adjust according to the patient.
- 2** Check the airway pressure on the pressure gauge.
- 3** Set desired upper alarm limit **»Pmax«**.

When the desired upper alarm limit set **»Pmax«** is reached, the machine limits the airway pressure increase by blowing off part of the inspiratory flow. Inspiration is continued by the machine.

WARNING!

Watch the pressure gauge and take note of alarm conditions in order to recognise incorrect ventilation at an early stage and prevent danger to the patient.



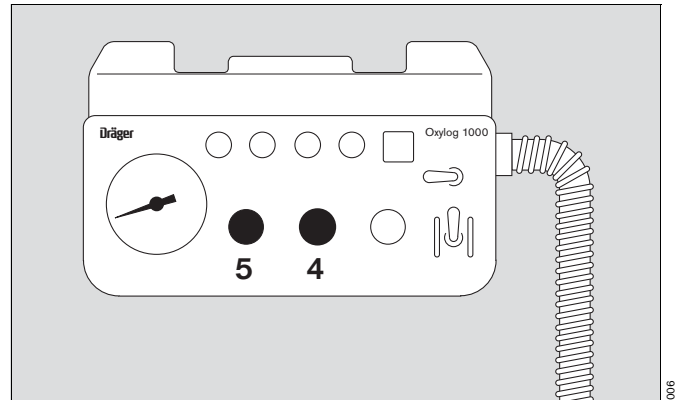
For heart-lung resuscitation

For resuscitation of adults using the "two helper method":

- 4 Set the »Freq.« knob to the heart symbol ♥,
- 5 Set the »Pmax« knob to the heart symbol ♥, approx. 55 mbar.

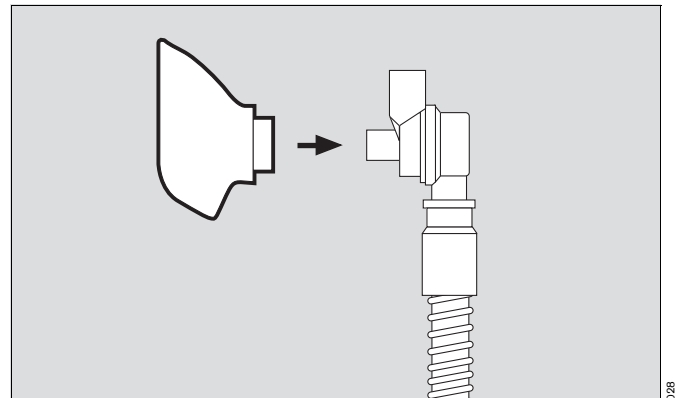
NOTE:

Airway pressure limiting is now activated. When the peak pressure limit is reached, tidal volume may not be fully applied under certain conditions.



Ventilation with a mask

- Connect mask to patient connection on breathing valve.
- Position mask over the face to cover the bridge of the nose and the chin, to ensure a tight fit.

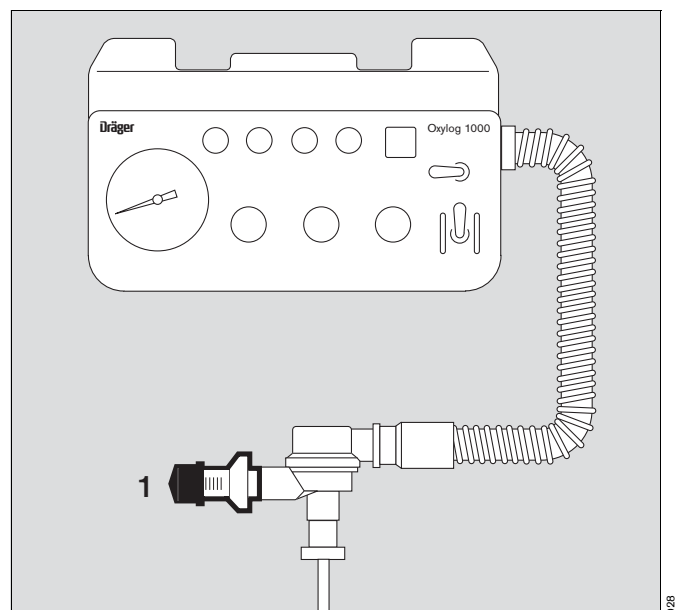


Ventilation with PEEP (Special accessory)

- 1 Set the PEEP valve to 0 mbar = turn the knob anti-clockwise as far as it will go and fit it to the expiration connector of the ventilation valve.
Set PEEP = turn knob. The end-expiratory pressure is increased by the set PEEP value.

NOTE:

The PEEP pressure is not displayed on the pressure gauge!



006

026

026

Only for stationary use!

End-expiratory volume measurement (Special accessory)

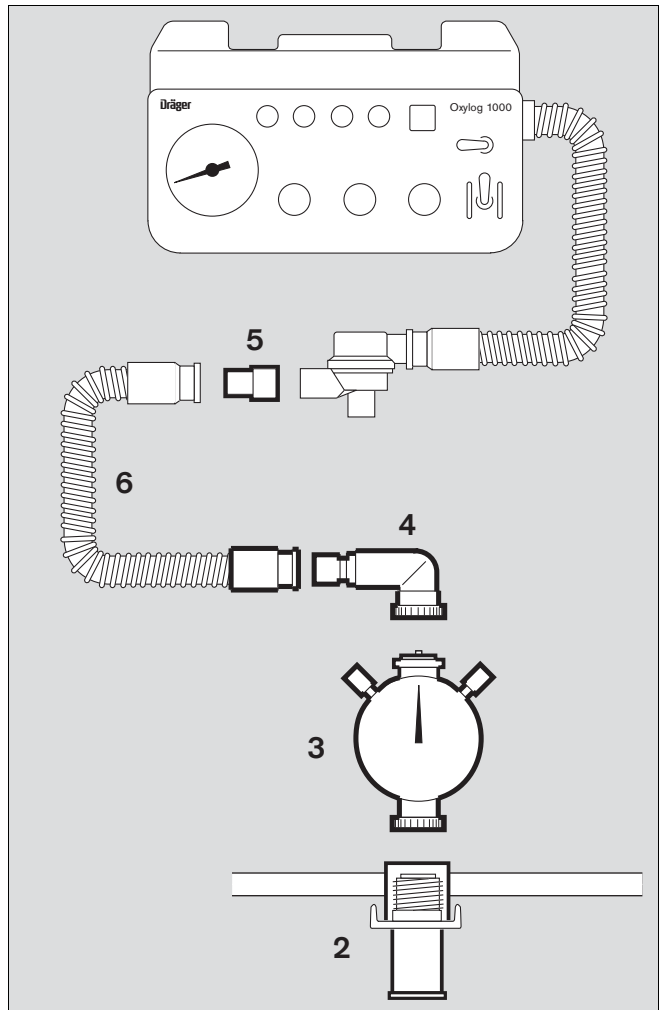
To measure the end-expiratory tidal volume and end-expiratory minute volume.

Cannot be combined with the PEEP valve.

NOTE:

Strictly follow the Instructions for Use of the Volumeter 3000.

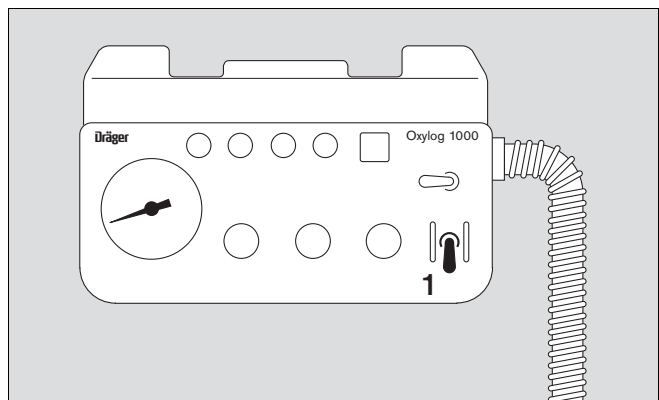
- 2 Clamp the Volumeter 3000 holder to the wall rail.
- 3 Screw the Volumeter 3000 to the holder.
- 4 Screw the elbow connector to the Volumeter 3000.
- 5 Fit adapter to expiration connector of the ventilation valve.
- 6 Connect the ventilation valve and Volumeter 3000 with 1.5 m long ventilation hose.



End of operation

After disconnecting the patient:

- 1 Switch the main switch to 0.



If the Oxylog is supplied by O₂ cylinder:

- Fully close the cylinder valve.

If the Oxylog is supplied by the central gas supply:

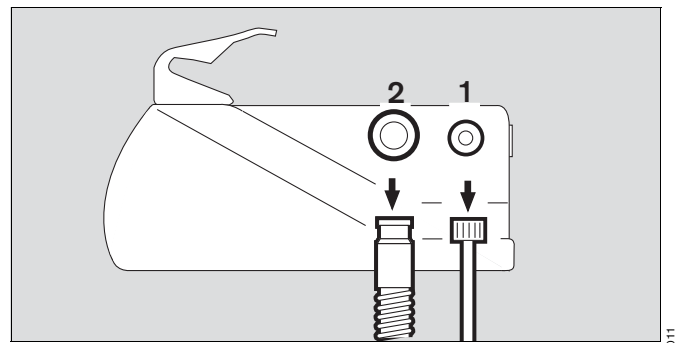
- Remove the gas supply connector.

Care

- After each operational use of the ventilator, dismantle and disinfect the reusable ventilation valve and ventilation hose, the volume metering parts and the reusable PEEP valve.
- The ventilator and compressed gas hoses must also be cleaned/disinfected if severely soiled.
- Use the single-use system, consisting of the ventilation valve, the ventilation hose and the single-use PEEP valve, only once. These parts are marked:
For single use only!
- Dispose of the single-use components in accordance with local regulations.

Dismantling

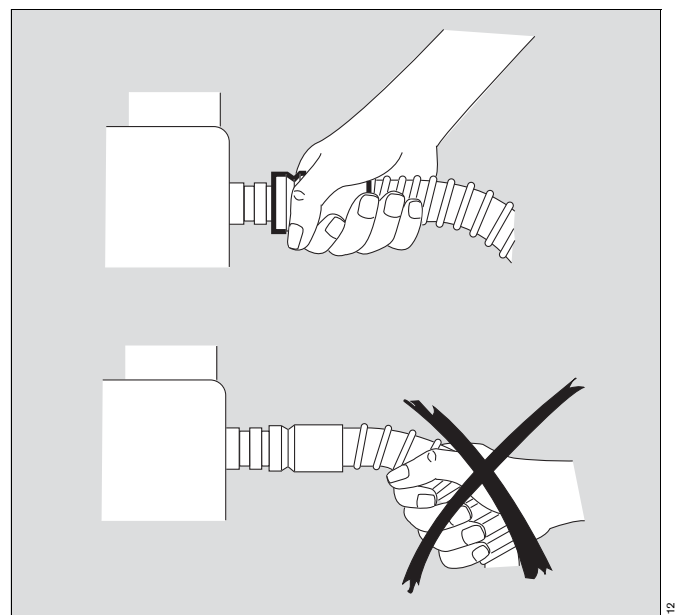
- Remove Oxylog 1000 from its holder.
- 1 Unscrew the O₂ compressed gas hose from the Oxylog 1000.
- 2 Remove the ventilation hose from the connector on the side of the ventilator.



CAUTION!

To remove the ventilation hose, always grip it by the sleeve and not the spiral stiffening ridges. Otherwise the spiral ridges may be torn, e.g. at the sleeve, or the hose may be ripped out of the sleeve.

- Remove the ventilation valve from the ventilation hose.
- Pull the PEEP valve out of the ventilation valve, or
- remove and dismantle the volume metering parts.



Dismantling the ventilation valve

Turn the cover about 45° anti-clockwise = unlock, and remove the cover.

3 Remove the diaphragm. Do not dismantle any further.

WARNING!

Protect the diaphragm from damage.

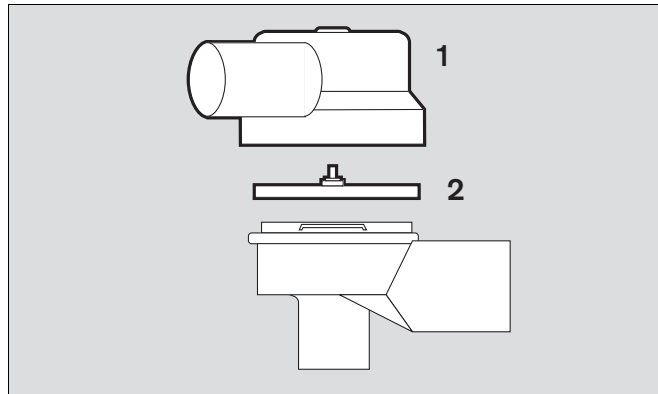
WARNING!

Do not allow any foreign matter to enter the housing of the ventilation valve.

WARNING!

The red non return valve in the diaphragm should not be removed, damaged or bent.

Otherwise, impaired valve operation will occur, putting the patient at risk.



Disinfecting/Cleaning

Use only preparations classified as »surface disinfectants« for disinfecting. For material compatibility, we recommend preparations based on

- aldehydes,
- alcohols,
- quaternary ammonium compounds.

Due to possible damage to materials, the following preparations are unsuitable:

- compounds containing alkylamine
- compounds containing phenol
- halogen-releasing compounds
- strong organic acids
- oxygen-releasing compounds.

For users in the Federal Republic of Germany, we recommend the use of disinfectants listed in the current DGHM list (DGHM = German Society for Hygiene and Microbiology). The DGHM list (published by mhp Verlag GmbH, Wiesbaden) also specifies the active basis of each disinfectant. For countries where the DGHM list is unavailable, we recommend products based on the above active bases.

Wipe disinfecting

Ventilator, O₂ compressed gas hose:

- Wipe disinfect with e.g. Buraton 10 F or Terralin. Strictly follow the Instructions for Use of the disinfectant manufacturer. Coarse impurities must first be removed with a disposable cloth.

CAUTION!

Do not allow any liquids to penetrate inside the ventilator or O₂ compressed gas hose.
Liquid inside the system can impair ventilation.

Immersion disinfecting

Dismantled components of the ventilation valve, ventilation hose, volume metering parts, **not the Volumeter 3000**:

- Disinfect in disinfectant bath with e.g. Gigasept FF = formaldehyde-free.
Strictly follow the Instructions for Use of the disinfectant manufacturer.
Thoroughly stir the parts in the solution.
Do not clean with hard brushes.
Do not allow any foreign object to enter the inside of the ventilation valve.
- Rinse thoroughly with Aquadest.

CAUTION!

Allow the parts to dry fully.
If any water remains in the ventilation valve, the ventilation function may be impaired.

Sterilising

Sterilise as follows if necessary:

Disassembled parts of the breathing valve, ventilation hose and mask:

- Sterilise in hot steam at 134 °C. Exposure time in accordance with EN 285: at least 3 minutes.

NOTE:

Do not expose the plastic parts to the hot steam for more than 10 minutes, since this can accelerate the ageing of the materials.

PEEP valve and Volumeter 3000

- treat as specified in their specific Instructions for use.

After care

- Preparation, page 14.
- Connect the O₂ supply, page 16.
- Betriebsbereitschaft prüfen, page 18.

Preparation

The reusable ventilation hose and the ventilation valve are supplied with the ventilator.

Alternatively, the optional, pre-assembled single-use system, consisting of a ventilation hose and ventilation valve, can be used. These parts are marked:

For single use only!

Mounting the ventilation valve

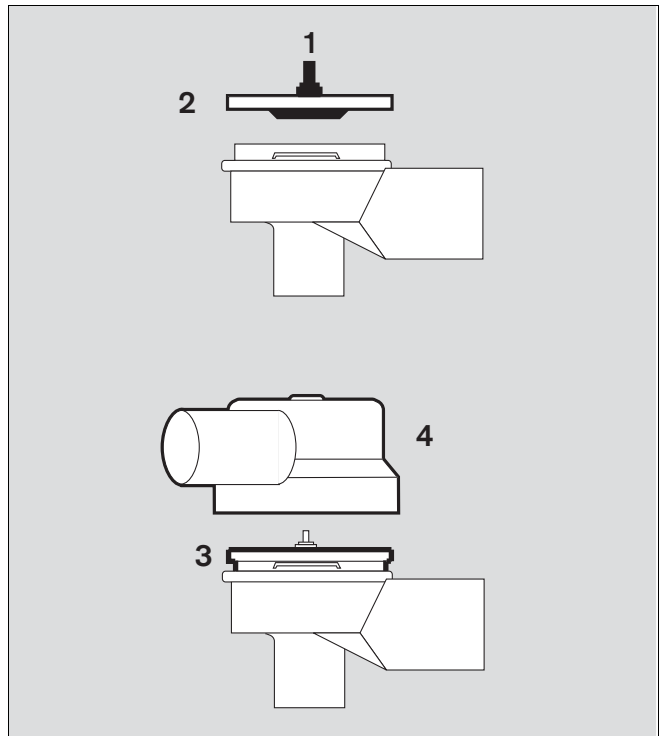
- 1 Check that the red non-return valve is securely seated in the diaphragm and lies flat on the diaphragm.

WARNING!

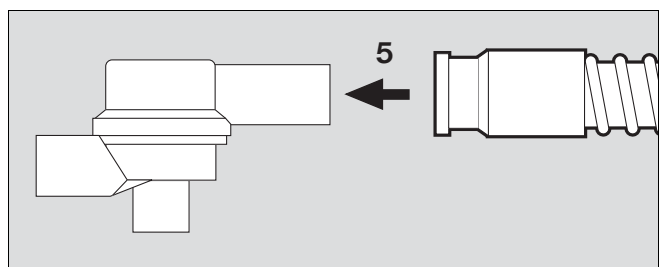
The red non return valve in the diaphragm should not be removed, damaged or bent.

Otherwise, impaired valve operation will occur, putting the patient at risk.

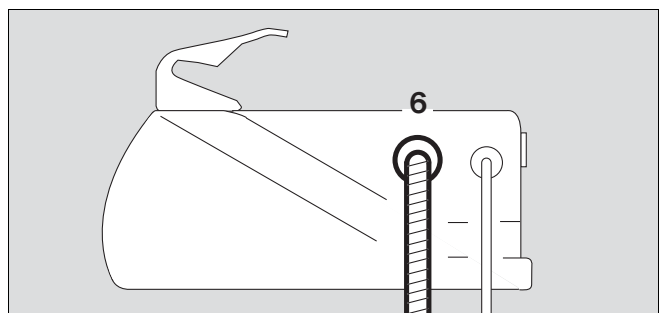
- 2 Insert the diaphragm in the valve housing, with the red non-return valve facing the housing.
- 3 The bead of the diaphragm must lie flat and flush on the edge of the housing.
- 4 Fit the cover as shown, press down and turn 45° clockwise to lock. The inspiration connector and the expiration connector should be facing one another. The diaphragm should fit into the housing without creasing.



- 5 Fit the ventilation hose to the inspiration connector of the ventilation valve.



- 6 Fit the ventilation hose to the connector on the ventilator.



Mounting the PEEP valve (option)

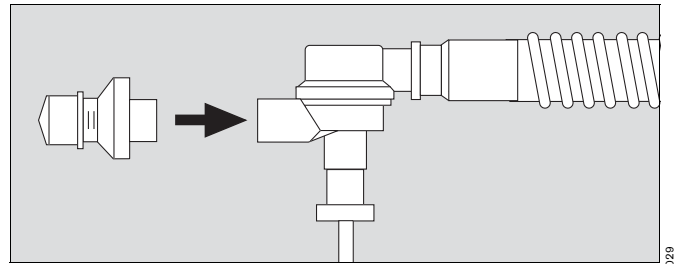
Both a reusable PEEP valve and a single-use PEEP valve are available.

The single-use PEEP valve is marked:

For single use only!

- Mount the PEEP valve on the expiration connector of the ventilation valve.

Measurement of the expiratory volume is not possible when the PEEP valve is used.

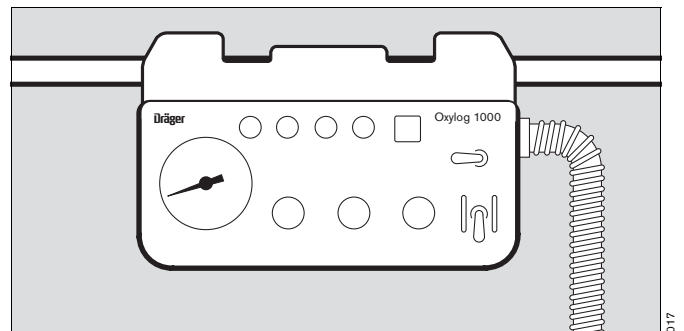


029

Installing the Oxylog 1000

For stationary use

- Place firmly on a level, non-slip surface, ensuring unit cannot fall, or:
- Suspend at the head of the bed, or:
- Suspend on a wall rail, as illustrated.



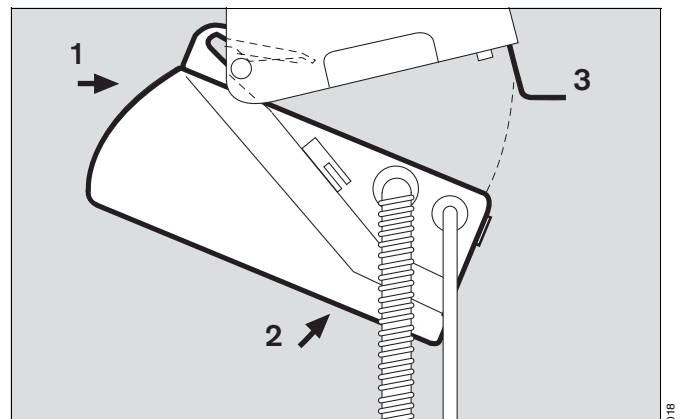
017

For mobile use in vehicles

- Use the vehicle mount
- 1 Suspend Oxylog 1000 by its bracket on the rod of the holder.
 - 2 Swivel the ventilator up into the holder until it clicks into place.

To pull out the ventilator:

- 3 Press the release catch from underneath.



018

Connecting the O₂ supply

Take care when handling oxygen.

WARNING!

O₂ is highly flammable and intensively propagates any source of fire.

Do not smoke or allow any naked flame in the vicinity of the O₂ supply.

Protect O₂ cylinders against falling, and do not expose them to intense heat.

WARNING!

Do not oil or grease O₂ fittings, such as cylinder valves and pressure-reducing valves, and do not handle these parts with greasy hands. Fire risk.

WARNING!

Only open/close cylinder valves by hand, turning evenly. Never use a tool to open/close the valves.

For supply by O₂ cylinder

WARNING!

Use only compressed gas cylinders that conform to national safety standards and have been duly approved.

Use full cylinders with 200 bar cylinder pressure.

- Screw a pressure-reducing valve onto the O₂ cylinder (for supply pressure 2.7 to 6.0 bar).

WARNING!

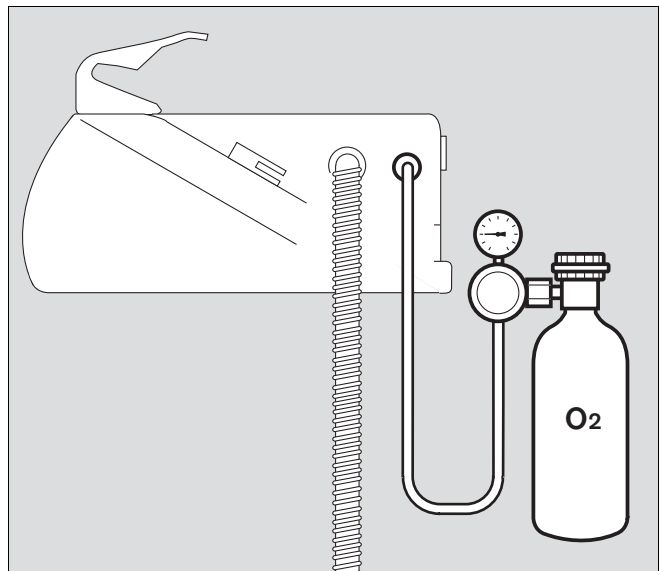
Use only pressure-reducing valves with an outlet exhaust valve that limits the outlet pressure to approx. 5 bar in the event of failure.

- Connect the Oxylog 1000 to the pressure-reducing valve with the compressed gas hose.
- Open the cylinder valve by **turning slowly** as far as it will go.

CAUTION!

Do not insert metering valves or flow meters in the O₂ supply of the Oxylog 1000.

Risk of impaired function of the ventilator with consequent danger to the patient.



019

Determining the gas content of the O₂ cylinder

Example:

Cylinder pressure measured at the pressure gauge of the pressure-reducing valve: 200 bar

O₂ cylinder capacity: 2.5 L

Compressed gas content: 2.5 L x 200 bar = approx. 500 L

Estimated operating time of the Oxylog 1000

Example:

Freq. 10 bpm, V_T = 1 L, MV = 10 L/min

$$\text{Operating time} = \frac{\text{Compressed gas content [L]}}{(\text{MV} + 1^*) \text{ [L/min]}}$$

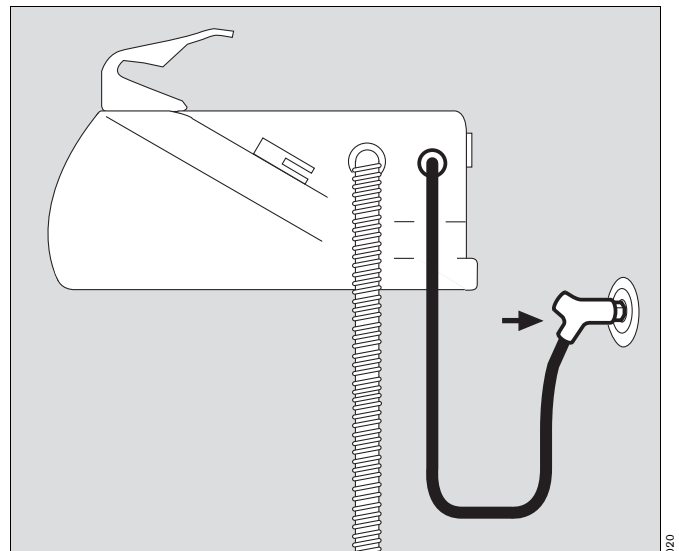
$$\text{Operating time} = \frac{500}{11} = \text{approx. 45 min}$$

If Oxylog 1000 is switched to »Air Mix«, the gas consumption is reduced by about 50 %, thereby increasing the operating time to about 90 minutes.

For supply from a central O₂ supply

- Screw the compressed gas hose to the Oxylog 1000 and insert the gas connector in the O₂ supply socket.

In exceptional cases, the Oxylog 1000 may also be supplied with compressed air, in which case the O₂ concentration is always 21 % by volume.

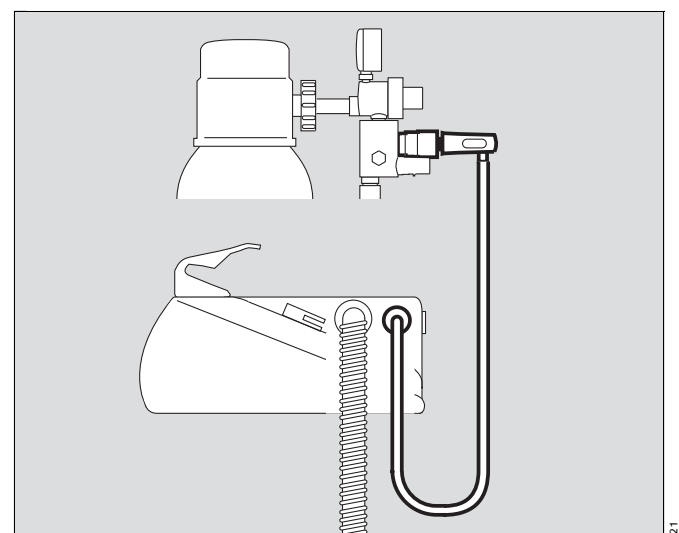


For use with the Dräger Oxator

- Screw the O₂ compressed gas hose to the Oxylog 1000.
- Insert the gas connector securely into one of the two O₂ ports until it clicks into place.

NOTE:

Strictly follow the Instructions for Use of the Oxator.



* Intrinsic consumption of the device: approx. 1 L/min

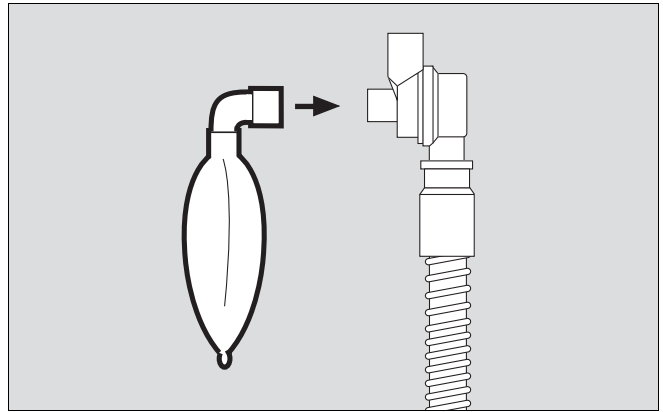
Checking readiness for operation

- after changing the ventilation valve,
- after each care and reassembly procedure,
- at the latest every 6 months.
- document testing in the medical products book.

Connecting the test lung

The test lung consists of the mask elbow for connecting to the ventilation valve, the Ø7 catheter connector for simulating the resistance of the airways and a 2 L breathing bag to simulate lung compliance.

- Insert the mask elbow of the test lung onto the patient connector of the ventilation valve.

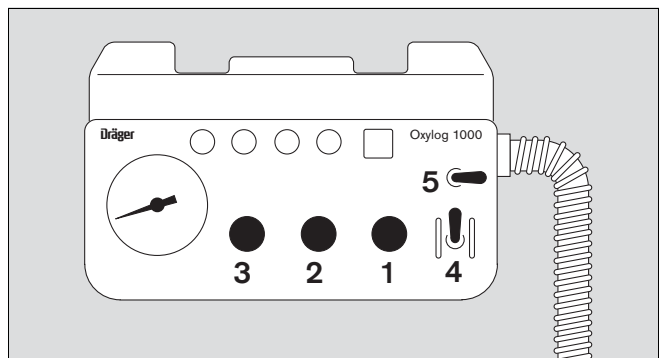


Switch on the O₂ supply

- Open the O₂ cylinder supply by turning slowly as far as it will go
or
- insert the O₂ compressed gas connector in the supply socket until it clicks into place = tapping position.

Testing ventilation function

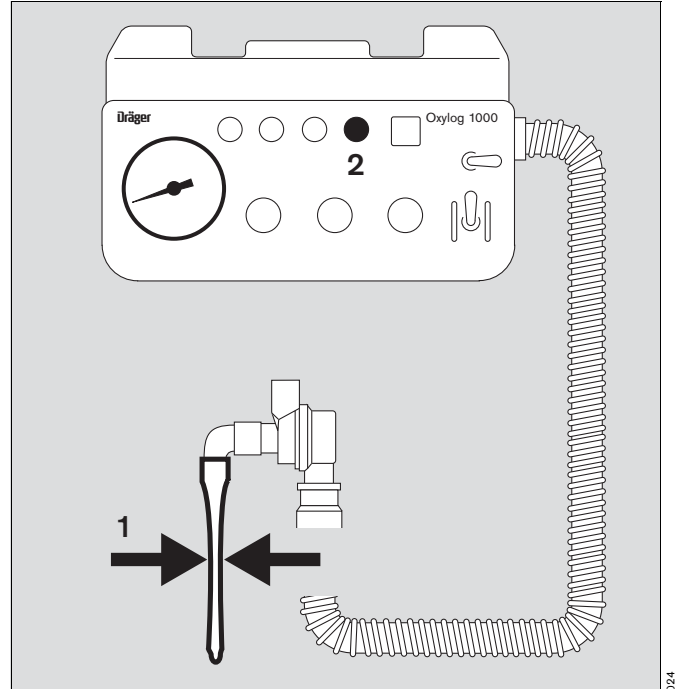
- Set the ventilator when using a reusable hose:
 - 1 »MV« knob approx. 10 L/min
 - 2 »Freq.« knob approx. 10 bpm
 - 3 »Pmax« knob approx. 55 mbar
 - 4 Main switch I (On)
 - 5 Switch »No Air Mix«
- Set the device when using a disposable hose to the settings as described in the accompanying leaflet of the disposable hose.
- Oxylog 1000 ventilates the test lung.
After 5 ventilation strokes ventilation is constant, no alarms should occur.



Testing the »Paw $\sqrt{\text{r}}$ « alarm

With the existing setting

- 1 Keep test lung completely deflated and observe pressure gauge:
 - Oxylog 1000 limits the airway pressure to approx. 55 mbar.
- 2 The »Paw $\sqrt{\text{r}}$ « indicator turns red, and the audible alarm is sounded.
 - 1 Release the test lung.
 - 2 The »Paw $\sqrt{\text{r}}$ « indicator and audible alarm are deactivated.

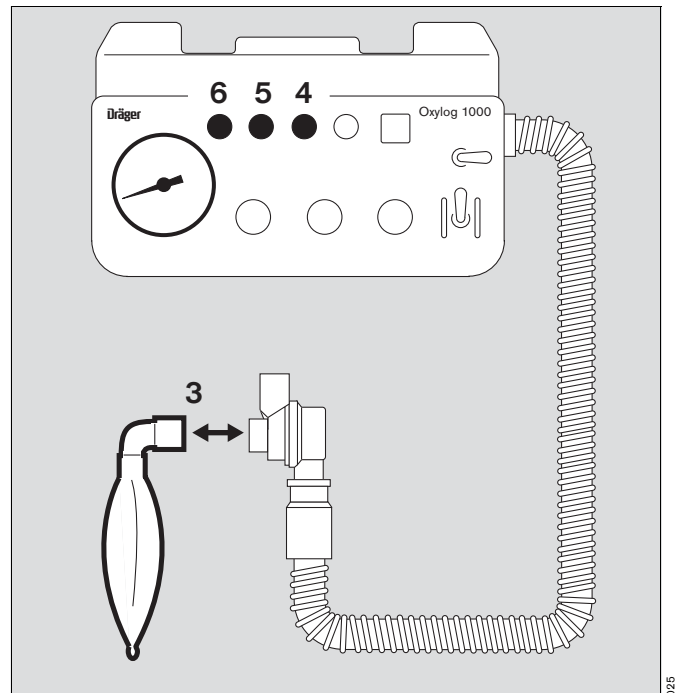


024

Testing the »Paw $\sqrt{\text{r}}$ « alarm

With the existing setting

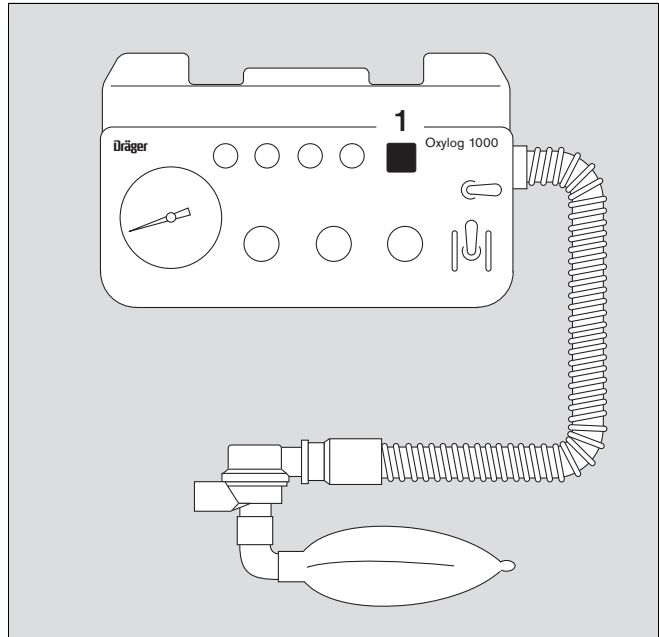
- 3 Remove the test lung from the ventilation valve:
 - 4 The red »Paw $\sqrt{\text{r}}$ « indicator is displayed, and the audible alarm is sounded.
 - 5 Press the » A « button,
 - 4 The »Paw $\sqrt{\text{r}}$ « indicator remains red; the audible alarm is muted for up to 2 minutes.
 - 6 The indicator » A « turns yellow to indicate that the alarm tone has been muted.
- 3 Refit the test lung:
 - 4 The »Paw $\sqrt{\text{r}}$ « indicator and audible alarm are deactivated.



025

Checking the »Psupply« alarm

- Switch off the gas supply.
Close the cylinder valve or remove the compressed gas connector.
- 1 The colour of the »Psupply« indicator changes from green to red, but there is no audio alarm in this case.
- Restore the gas supply:
1 The colour of the »Psupply« indicator changes from red to green.
- Remove test lung from ventilation valve.



After all tests have been successfully completed, the ventilator is ready for operation.

Troubleshooting

This table is intended to assist the user to detect the underlying cause in the event of an alarm and to remedy the situation rapidly.

Fault	Cause	Remedy
Ventilator does not build up any airway pressure »P _{supply} « indicator red	Gas capacity of O ₂ cylinder fully spent.	Immediately connect the ventilator to a full O ₂ cylinder.
	Supply pressure at ventilator inlet too low; no central gas supply or O ₂ cylinder empty.	Establish sufficient supply pressure: 2.7 to 6 bar.
Ventilator remains on »Inspiration«	Supply pressure at ventilator inlet too low.	Establish sufficient supply pressure: 2.7 to 6 bar.
	Oxylog 1000 faulty.	Call Dräger Service.
Patient cannot exhale, or can only exhale with difficulty	Ventilation hose kinked.	Route the ventilation hose without kinking it.
	Red non-return valve in the diaphragm is faulty or »creased«.	Open the ventilation valve and assemble correctly, see page 14.
»Paw $\sqrt{\text{}}$ « indicator red Audible alarm is sounded The minute volume is not fully applied	Stenosis in the airways.	Free the airways.
	Ventilation hose kinked.	Route the ventilation hose without kinking it.
	Lung compliance reduced.	Set the »P _{max} « higher.
	Patient is "fighting the ventilator"	Change the ventilation pattern or sedate the patient.
»Paw $\sqrt{\text{}}$ « indicator red Audible alarm is sounded	Disconnection/leakage at the patient connection, ventilation valve or ventilation hose.	Ensure that all connections are leakproof.
	Diaphragm of the ventilation valve incorrectly fitted or damaged.	Mount the diaphragm correctly, or replace diaphragm if faulty – see page 14. Replace the single-use system.
	Leaky cuff.	Inflate the cuff and check for leaks.

Maintenance intervals

Clean and disinfect the ventilator or parts before each repair, even if returning components to the factory for repair.

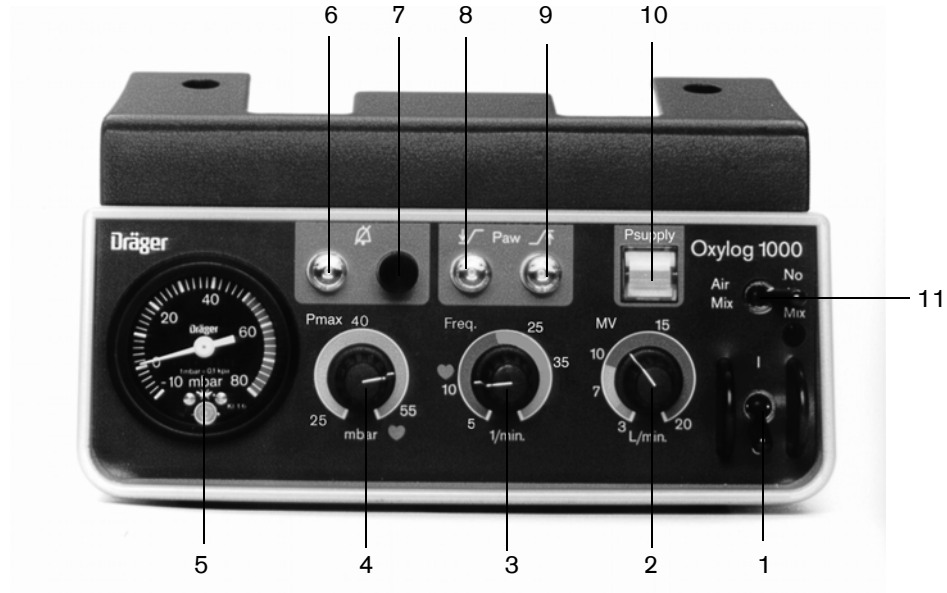
Inspection and servicing of the ventilator	Every 2 years by trained and qualified personnel.
Pressure-reducing valve	Major overhaul in accordance with the operating instructions for the pressure-reducing valve by trained and qualified personnel.


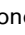


Disposing of the apparatus

- At the end of the period of use.
- Dispose of Oxylog 1000 correctly, after consulting the appropriate disposal contractors.
Relevant legal provisions should be complied with.

What's what

Front view



- 1 Main switch 0/I
- 2 »MV« rotary control knob for minute volume
- 3 »Freq.« rotary control knob for ventilation frequency
- 4 Rotary control knob for upper alarm limit »Pmax«
- 5 Pressure gauge for inspiratory airway pressure
- 6 Indicator »« to mute audible alarm tone
- 7 »« key for muting the audible alarm tone
- 8 Indicator »Paw « (Paw lower alarm limit)
- 9 Indicator »Paw « (Paw upper alarm limit)
- 10 Indicator »Psupply« for supply pressure
- 11 »Air Mix / No Air Mix« switch

Side view



- 1 Connection for ventilation hose and ventilation valve
- 2 Connection for O₂ compressed gas hose

Technical data

Environmental conditions

Operation

Temperature	-18 to 50 °C
Atmospheric pressure	700 to 1100 hPa
Humidity	15 % to 95 % r. h.

Storage

Temperature	-18 to 70 °C
Atmospheric pressure	700 to 1100 hPa
Humidity	15 % to 95 % r. h.

Performance characteristics

Operating principle	Flow chopper
Control	Timer-controlled, constant volume
Ventilation frequency	4 to 54 bpm ± 15 %, at least ± 2 bpm [*]
Breathing time ratio permanently set	1:1.5; tolerance: 1:1.2 to 1:2 [*]
Minute volume	3 to 20 L/min ± 20 %, but at least ± 1 L/min
O ₂ concentration of the ventilation gas when supplied with O ₂	
Switch set to »Air Mix«	60 % O ₂ by vol. ± 10 % for MV greater than 7 L/min for MV less than 7 L/min: the O ₂ concentration increases up to 100 % O ₂ by vol.
Switch set to »No Air Mix«	100 % O ₂ by vol.
Safety valve	80 ± 10 mbar ^{**}
Pressure gauge	-10 to 80 mbar ± 1.6 % of upper range limit
Main switch	I – 0
Patient system	consisting of 1.5 m hose with ventilation valve
Compliance	approx. 1 mL/mbar
Expiration resistance	<6 mbar/L/s
Clearance space	approx. 12 mL
Connection for PEEP valve	30 mm cone in accordance with EN 1281-1

* The tolerances indicated apply to the table on page 7 for frequency and minute volume relative to the reference condition NTPD (20 °C, 1013 hPa, dry gas). The tolerances are greater, for physical reasons, if maximum minute volume and maximum frequency are set at the same time.

** 1 mbar = 0.1 kPa

Alarms

P _{supply} low	Alarm triggered when the supply pressure drops below 2.7 bar* . In the case of a slow pressure drop, an audible alarm is also activated.
P _{aw} high ✓ [^]	The visual and audible alarm are activated when the set value is exceeded. Range: 25 to 60 mbar ±10 %, but at least ±4 mbar
P _{aw} low ✓ ^v	The visual and audible alarm are triggered if a pressure of 10 mbar ±3 is not exceeded during inspiration.
Audio alarm muting	The audible alarm can be muted for up to 2 minutes.
Audible alarm volume	>75 dB (A) at a distance of 1 m

Gas supply

Supply gas	Medical O ₂ , In exceptional cases: compressed air
Conditioning of supply gas	Dry, oil-free, dust-free
Supply	From a central O ₂ supply system or from compressed gas cylinders
Gas pressure	2.7 to 6.0 bar at 60 L/min
O ₂ cylinders and pressure-reducing valves	Must conform to national safety standards and be duly certified
Pressure-reducing valves	Must have an exhaust valve on the outlet side to limit the outlet pressure to about 5 bar in the event of a fault
O ₂ connection	NIST O ₂ , NIST AIR/O ₂ , DISS or AFNOR
Gas consumption	
Internal control	approx. 1.0 L/min
Patient	
with »Air Mix«	approx. 50 % of the effective minute volume
with »No Air Mix«	100 % of the effective minute volume
Typical operating time for a minute volume of 10 L/min	
with 11 L O ₂ cylinder / 200 bar	approx. 200 minutes without mixing (No Air Mix) approx. 400 minutes with mixing (Air Mix)
with 2,5 L O ₂ cylinder / 200 bar	approx. 45 minutes without mixing (No Air Mix) approx. 90 minutes with mixing (Air Mix)

* 1 bar = 1 kPa x 100

Dimensions (W x H x D) mm	215 x 90 x 215 (without handle)
Weight	
Oxylog 1000 (basic unit)	3.15 kg
Ventilation hose, reusable, 1.5 m	0.35 kg
Ventilation valve, reusable	0.06 kg
Single-use hose system (consisting of ventilation hose and ventilation valve)	0.11 kg

Materials used

Ventilator housing	Impact-resistant acrylonitrile butadiene styrene (ABS)
Ventilation hose, reusable	Silicone rubber
Ventilation valve housing, reusable	Polysulphone (PSU), silicone rubber
Single-use hose system	Silicone rubber, polycarbonate (PC), polypropylene (PP), ethylene vinylacetate (EVA)

Classification

according to Directive 93/42/EC, Appendix IX

Class IIb

UMDNS-Code

Universal Medical Device Nomenclature System

18 – 098

Type of protection

IPX4

Abbreviations and symbols

Air Mix	Mixing of O ₂ with ambient air, approx. 60 % O ₂ by vol.
IPPV	Intermittent P ositive P ressure V entilation
Freq.	Ventilation frequency, strokes per minute
MV	Minute volume, L/min
No Air Mix	No mixing with ambient air, 100 % O ₂ by volume
P _{aw}	Airway pressure
P _{aw} \swarrow^{\wedge}	Upper alarm limit of airway pressure
P _{aw} \swarrow_{\wedge}	Lower alarm limit of airway pressure
PEEP	P ositive E nd E xpiratory P ressure
P _{max}	Set point for upper alarm limit P _{aw}
P _{supply}	Supply pressure
♥	Setting symbol for ventilation rate and airway pressure during heart-lung resuscitation
🔇	Audio alarm muting

Appendix

Minute volume and O₂ concentration as a function of airway pressure

Air Mix function

Oxylog 1000 supplies the air/O₂ mixture (Air Mix) by means of an injector that draws in additional air from the atmosphere to generate an air/O₂ mix with an O₂ concentration of about 60 % by volume.

Due to the laws of physics, the suction effect of injectors decreases with increasing back pressure.

With high airway pressures, the minute volume MV set may be reduced during the Air Mix function, thereby increasing the O₂ concentration.

At airway pressures up to 20 mbar, the set and applied minute volume (MV) are the same. An additional increase of airway pressure by 10 mbar leads to a reduction of the volume applied by about 10 %. The set minute volume MV should possibly be increased appropriately.

Since less air is drawn from the atmosphere when there is an increase in airway pressure, the O₂ concentration increases.

At a low minute volume MV of under 7 L/min, concentrations of up to 100 % by volume can be attained.

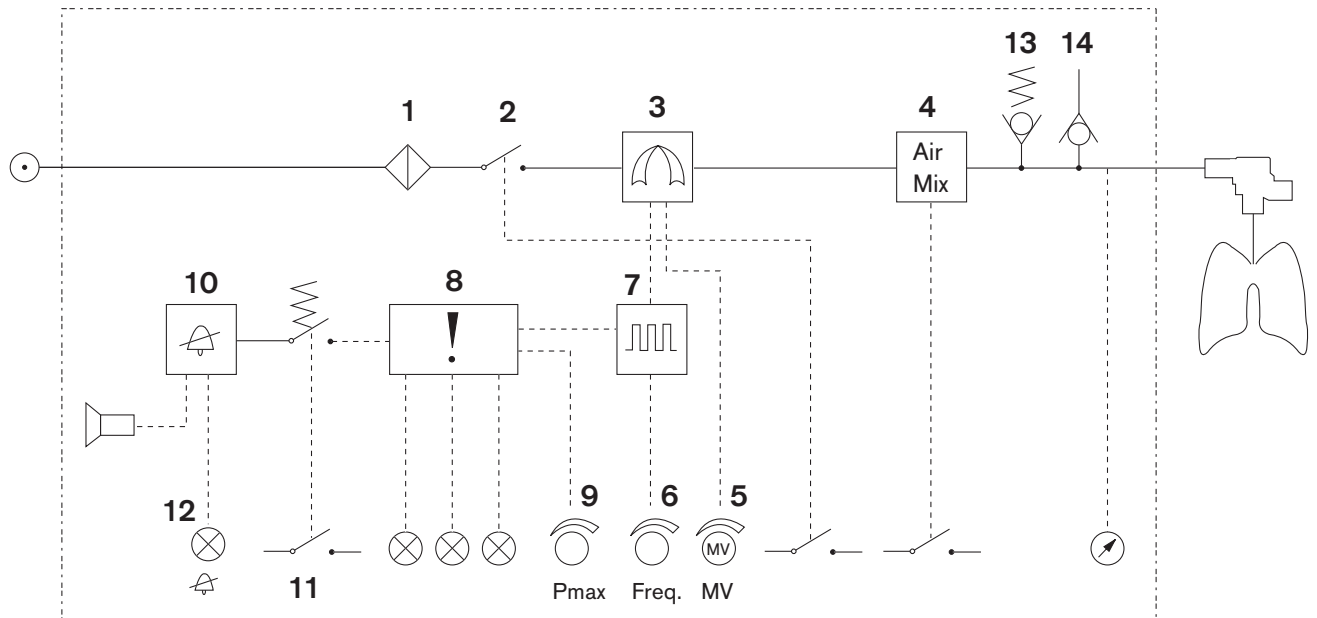
No Air Mix function

The applied minute volume MV is not a function of the airway pressure. The O₂ concentration is always 100 %.

Minute volume as a function of ambient air pressure

The applied minute volume MV is also dependent on the atmospheric pressure of the surrounding area (reference value 1013 hPa). If the atmospheric pressure is reduced by 100 hPa, the supplied minute volume MV is increased by about 10 %.

Block circuit diagram



Function description of the Oxylog 1000 with reference to the block circuit diagram

The supply gas, O₂ (or compressed air), is channelled via the filter **1**, the on/off switch **2** to the ventilation block **3**, which can optionally be connected to the "Air Mix" module **4**.

The minute volume is set by the "MV" valve **5** and controls the ventilation block **3**.

The frequency is set by the "Freq." valve **6** and acts on the frequency control **7**, which is coupled to the alarm logic system **8**.

The upper alarm limit "Pmax" is set with the "Pmax" rotary knob **9** and opens a valve in the ventilation block **3**, so that the airway pressure is limited during inspiration.

The alarm logic **8** is connected to the "audible alarm muting control" **10** by push-button » **11**. When button » **11** is pressed, the yellow indicator » **12** is displayed, and the audible alarm is suppressed for up to 2 minutes.

Additional relief valve **13** is permanently set and opens at a specified pressure of around 80pbar.

The emergency air valve **14** permits spontaneous breathing by the patient in the event of ventilator failure.

Order List

Name and description	Part No.
Basic unit	
Oxylog 1000 Time-cycled, constant volume emergency ventilator with alarms for high and low airway pressure and low supply pressure	2M 86 105
Optional accessories	
Caddy	57 03 300
Carrying system 1000	2M 86 001
Wall Holder for Carrying System 1000	2M 86 103
Spare bag for Carrying System 1000	AB 41 047
Vehicle bracket	84 12 069
Test lung	84 03 201
Ventilation hose E ISO, reusable, 1.5 m	2M 86 511
Ventilation hose E ISO, reusable, 3.0 m	21 12 760
Ventilation valve, reusable	2M 86 800
Reusable PEEP valve (0 to 10 mbar)	84 07 475
Single-use hose system (25 pieces) consisting of ventilation hose with ventilation valve	2M 86 837
Single-use PEEP valve (5 to 20 mbar)	2M 86 832
Connecting hoses	
CG* -connecting hoses	
Gas Supply System	57 04 500

* Central piped gas supply

Index

A

Abbreviations	27
Accessories	3
Applications	4

B

Before using for the first time	4
---------------------------------------	---

C

Central O2 supply	17
Checking readiness for operation	18
Connection O2 supply	16

D

Definitions	3
Device Check	6
Disinfecting/Cleaning	12
Dismantling	11
Disposing of the apparatus	22
Dräger Oxator, use of	17

E

End of operation	10
End-expiratory volume measurement	10
Environmental conditions	25

F

Front view	23
------------------	----

H

Heart-lung resuscitation	9
--------------------------------	---

I

Immersion disinfecting	13
Installing the Oxylog 1000	15
Intended use	4
IPPV	7

M

Maintenance intervals	22
-----------------------------	----

O

Operating concept	5
Order List	30

P

PEEP valve	15
Performance characteristics	25
Pmax	8
Precautions	4

S

Side view	24
Sterilising	13
Symbols	27

T

Technical data	25
Test lung, connecting	18
Testing the »Paw«	19
Testing the »Paw >« alarm	19
Troubleshooting	21

V

Ventilation valve, Dismantling	12
Ventilation with a mask	9
Ventilation with PEEP	9

W

What's what	23
Wipe disinfecting	13

This page is intentionally left blank

These Instructions for Use apply only to

Oxylog 1000

with Serial No.:

If no Serial No. has been filled in by
Dräger these Instructions for Use are
provided for general information only and
are not intended for use with any specific
machine or device.



Directive 93/42/EEC
concerning Medical Devices

Dräger Medical b.v.

🏠 Kanaaldijk 29
5683 CR BEST
The Netherlands
☎ +31 499 331 331
FAX +31 499 331 333
💻 medical.best@draeger.com
www.draeger-medical.com

90 37 394 - 06 en - GA 5503.410

© Dräger Medical b.v.

5th edition - January 2007

Subject to alteration